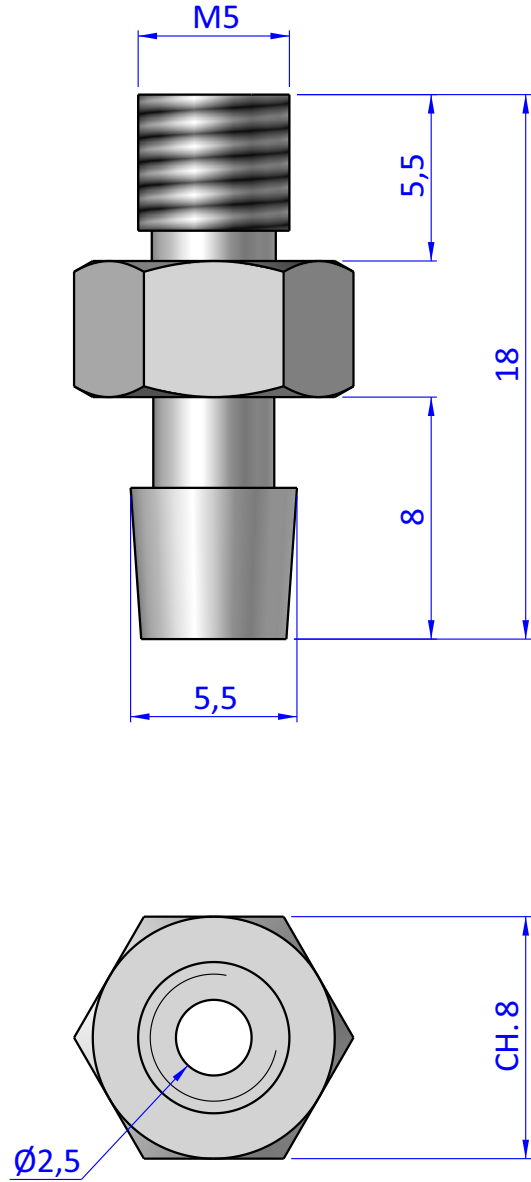
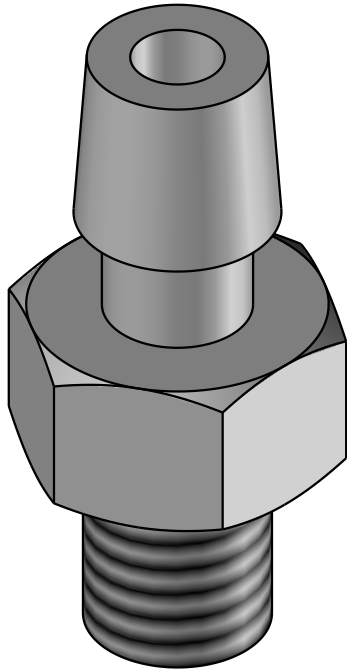
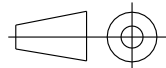


THE PROPERTY OF THE DRAWING IS ESTABLISHED BY LAW. IT IS FORBIDDEN TO PRODUCE OR SHOW IT TO THIRD PART. WITHOUT A WRITTEN AGREEMENT.

Item	Name	Q.ty
1	08.09.004	1



FPSERVICES AUTOMATION



DESIGNED FROM

FPS Automation

REVIEW

A

DATE

29/03/2022

WEIGHT

0,001kg

Format A4

UNI 936-76

GENERAL TOLERANCE

UNI - ISO 2768

CLASSE f

DESCRIPTION

CA.08.09.004

CODE

CA.08.09.004